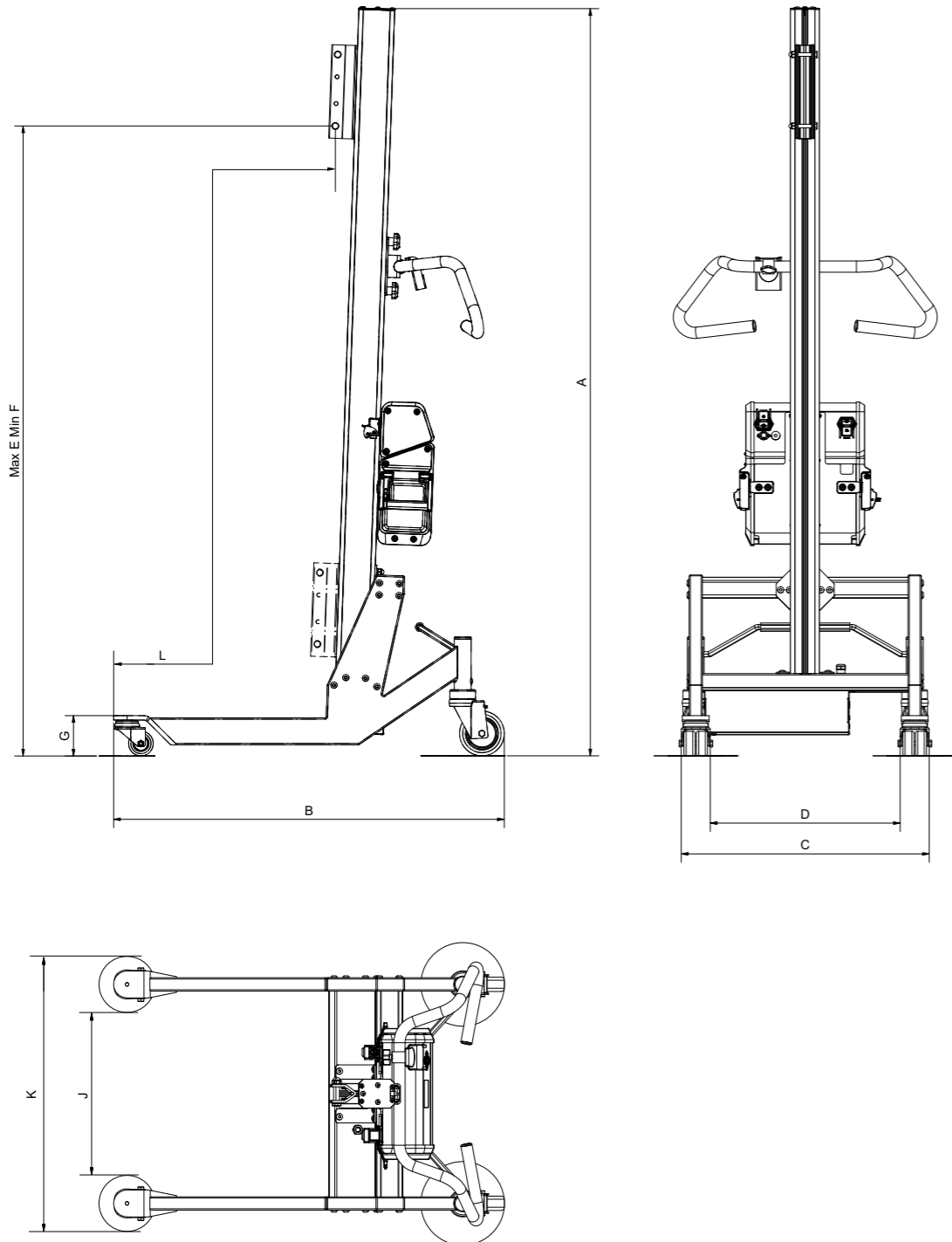


Lift&Drive 130PRX

Technical data sheet



Dimensions



Model *	A	B	C	D	E	F	G	J	K	L
130PRX (mm)	1728	907	552	428	1460	302	142	313	667	546
130PRX, low castors (mm)	1676	874	566	416	1408	250	90	364	616	456

* Base model as standard column, legs, and cross member. The table shows theoretical measurements.

Technical data

Description	Lift&Drive 130PRX
Net weight (kg)*	42
Maximum load including tool at 400 mm from column (kg)	130
Max lifting speed empty (mm/s)	132
Weight load ratio	0,32
Stainless steel option	Yes
Min turning radius* (Ø mm)	1046
Safety approvals	CE

Battery options

Battery types	LiFePO4 or VRLA AGM
Nominal battery voltage (VDC)	24
Battery capacities (Ah)	10 LiFePO4 7,2 AGM, 12 AGM,

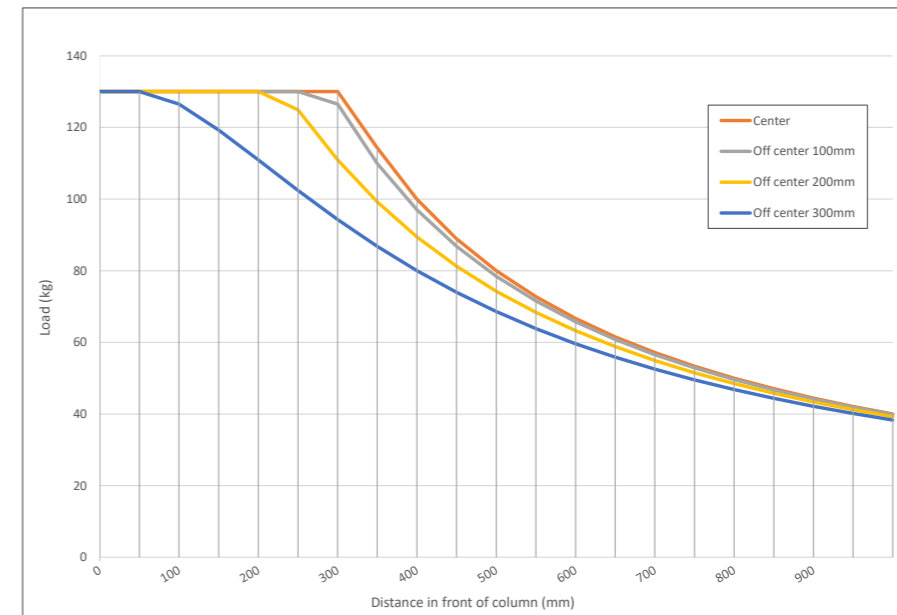
Charger

Charger options (A)	1.5 or 4
Max charge voltage (VDC)	29
Nominal input voltage (VAC)	100-240 ±10%
Available plugs with charger	Plug Type A – North America Plug Type C – Europe Plug Type G – UK Plug Type I – AU / NZ
Safety - Charger 1.5A	CE, cCSAus, IEC EN 60601-1, IEC EN 60601-1-2
Safety - Charger 4A	CE, UL, CSA

* Lowest net weight, no tool, Li battery

** Performance under optimal circumstances

Load capacity



Available tools and accessories

Tools	Accessories
Platform, with or without side rolls	Holder for battery charger
Roll-on platform, side or front loaded	V-block
Forks, Forks for crates, with or without fold down platform	
Prong	
Expand&Turn	
Squeeze&Turn	
Turn	
Option: Bespoke tools	

Smart moves
For safe work

Disclaimer. We reserve the right to make changes. Illustrations, drawings and data are not always in accordance with the latest version or standard model in production. The models in the pictures may present special equipment or colours.

PRONOMIC AB
Phone: +468 544706 60
sales@pronomic.com | pronomic.com