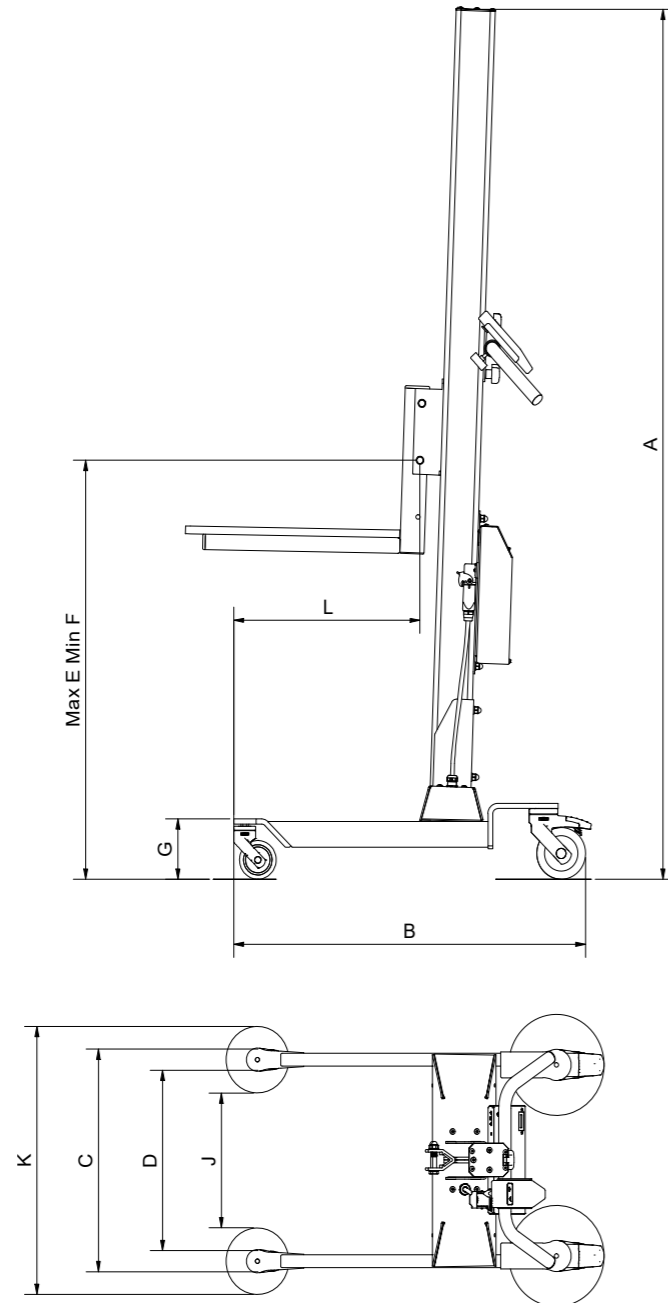


Lift&Drive 90E

Technical data



Dimensions



Model *	A	B	C	D	E	F	G	J	K	L
90E -250 mast (mm)	1443	734	435	345	1227	266	117	261	519	363
90E (mm)	1693	734	435	345	1477	266	117	261	519	363
90E +250 mast (mm)	1943	734	435	345	1727	266	117	261	519	363
90E +500 mast (mm)	2193	734	435	345	1977	266	117	261	519	363
90E -250 mast low (mm)	1412	734	435	345	1196	235	86	498	519	363
90E low (mm)	1657	734	435	345	1317	235	86	498	519	363
90E +250 mast low (mm)	1907	734	435	345	1567	235	86	498	519	363
90E +500 mast low (mm)	2157	734	435	345	1817	235	86	498	519	363

* Base model as standard column, legs, and cross member. The table shows theoretical measurements.

Technical data

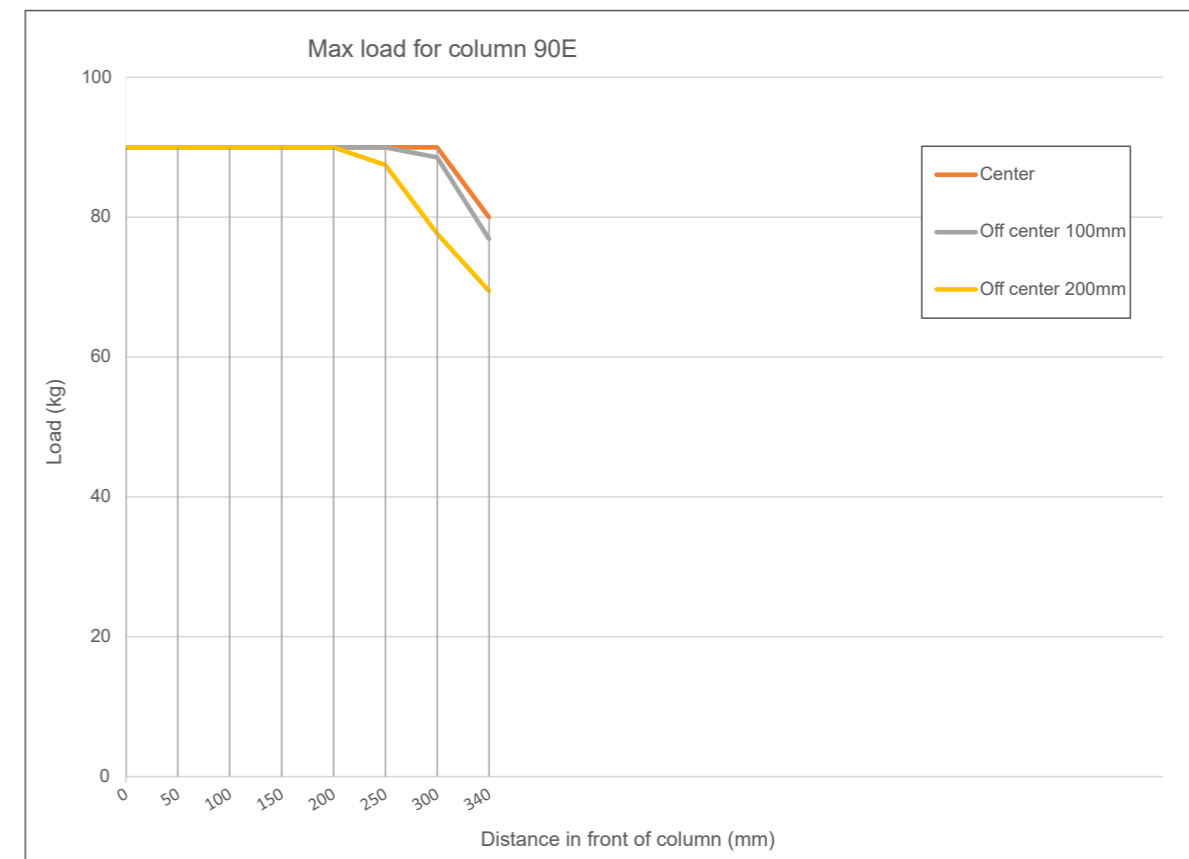
Data	90E
Min turning radius* (mm)	Ø722
Net weight (kg)	31
Maximum load including tool (kg)	90
Max lifting speed (mm/s)	83
Motor brake	Yes
Stainless steel option	Yes
Safety	CE

* Central pivotal point calculated as center point between the diagonal swivel wheel pair
 ** The charger is CSA

Batteries

Battery	Sealed, valve regulated, lead-acid batteries (VRLA)
Nominal battery voltage	24V DC (12V x 2)
Battery capacity	7.2 Ah
Nominal charge voltage	27.6V stand-by. 29V max voltage.
Nominal charge current	1350 mA - 2400 mA
Available plugs with charger**	Plug Type A – North America Plug Type C – Europe Plug Type G – UK Plug Type I – AU / NZ

Load capacity



Available tools and accessories

Tools	Accessories
Platform, with or without side rolls	Tray
Platform with scale	V-block
Folded platform for containers	Platform for crates
Forks, Forks for crates, with or without fold down platform	Depositary shelves
Prong	Waste bag holder single/double
	List holder
	Holder for battery charger

Disclaimer. We reserve the right to make changes. Illustrations, drawings and data are not always in accordance with the latest version or standard model in production. The models in the pictures may present special equipment or colours.

Smart moves
For safe work

PRONOMIC AB
Phone: +468 544706 60
sales@pronomic.com | pronomic.com